

FTM RADAR DISTANCE/SPEED SENSOR



*Wear free radar technology.
CANbus for effective system integration.
Embedded diagnostic.*



FTM Radar sensor family allows to effectively manage distance and/or speed measurement. Robust design makes this device an optimal solution on multiple off-highway applications. Smart logic, together with CANbus communication, allows extremely flexible solutions with and without external ECU active management.



KEY VALUES



Shock proof



Radar technology

CAN CANbus



IP66 protection class



Wide temperature range

Description	P/N
FTM2	1110635

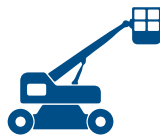
Default Parameters:

ID node: 0x1F

Baud rate: 125kbps



APPLICATIONS



Material Handling
and Lifting Technology



Agricultural Machinery



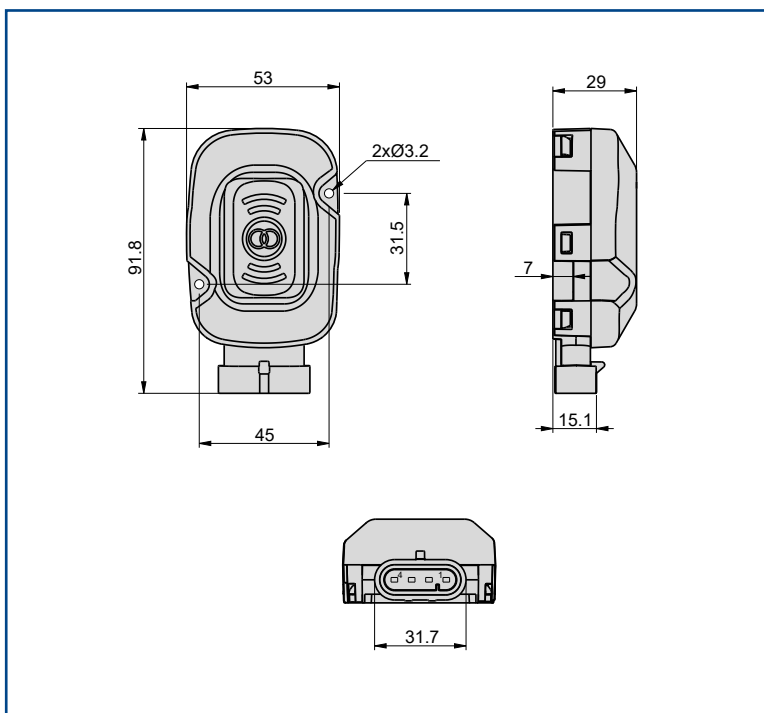
Construction Equipment

TECHNICAL DATA

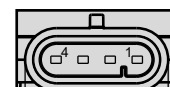
Measurement Range	up to 30m and up to 100kmh
Supply voltage	+9...+36Vdc
Output signal	CANopen
Resolution	up to 5cm
Working temperature	-40°C...+85°C
Vibrations	20g between 10 Hz...2000 Hz IEC 60068-2-6
Shock	Pulse on 3 axes; 50g 11 ms IEC 60068-2-27
Electromagnetic compatibility	2014/30/EU Electromagnetic Compatibility (EMC).
Protections and immunity	Protected against reverse polarity and short circuit
IP Protection Level	IP66

All performance data are values resulting from qualification tests on specific configuration sample production batch.
 Final product configuration, actual application and respect of installation recommendation may impact on some performance data.
 Where not differently indicated, data refer to Tamb condition test environment.

DIMENSIONS



CONNECTOR



N PIN	CANbus
1	CAN-L
2	CAN-H
3	GND
4	+VIN

ORDERING KEY

FAMILY	SUBFAMILY	CASE MATERIAL	CONNECTOR	CHANNEL 1 RANGE (±)	CHANNEL 2 RANGE (±) AND VERSE	SUPPLY VOLTAGE	OUTPUT TYPE	SPECIAL / CUSTOM FEATURE / SW / CUSTOMER	MANUAL ZERO HALL PEN	FACTORY LINEARITY TABLE SUPPLIED	ACCESSORIES / MAGNET TYPE	PROJECT REVISION
RADAR	2	C Plastic without sleeves	5M single M12 5P wall mounted	0050 5m full scale	0NOT single channel	H 9-36Vdc	051 CANopen standard	000 standard	0 not available (standard)	0 not supplied (standard)	000 not present	2

EXAMPLE OF RESULTING ORDERING CODE

FTM2.C.4A.0050.0NOT.H.051.000.0.0.000.2

Further possibilities available, some options are mutually exclusive, please contact our team for more details.