



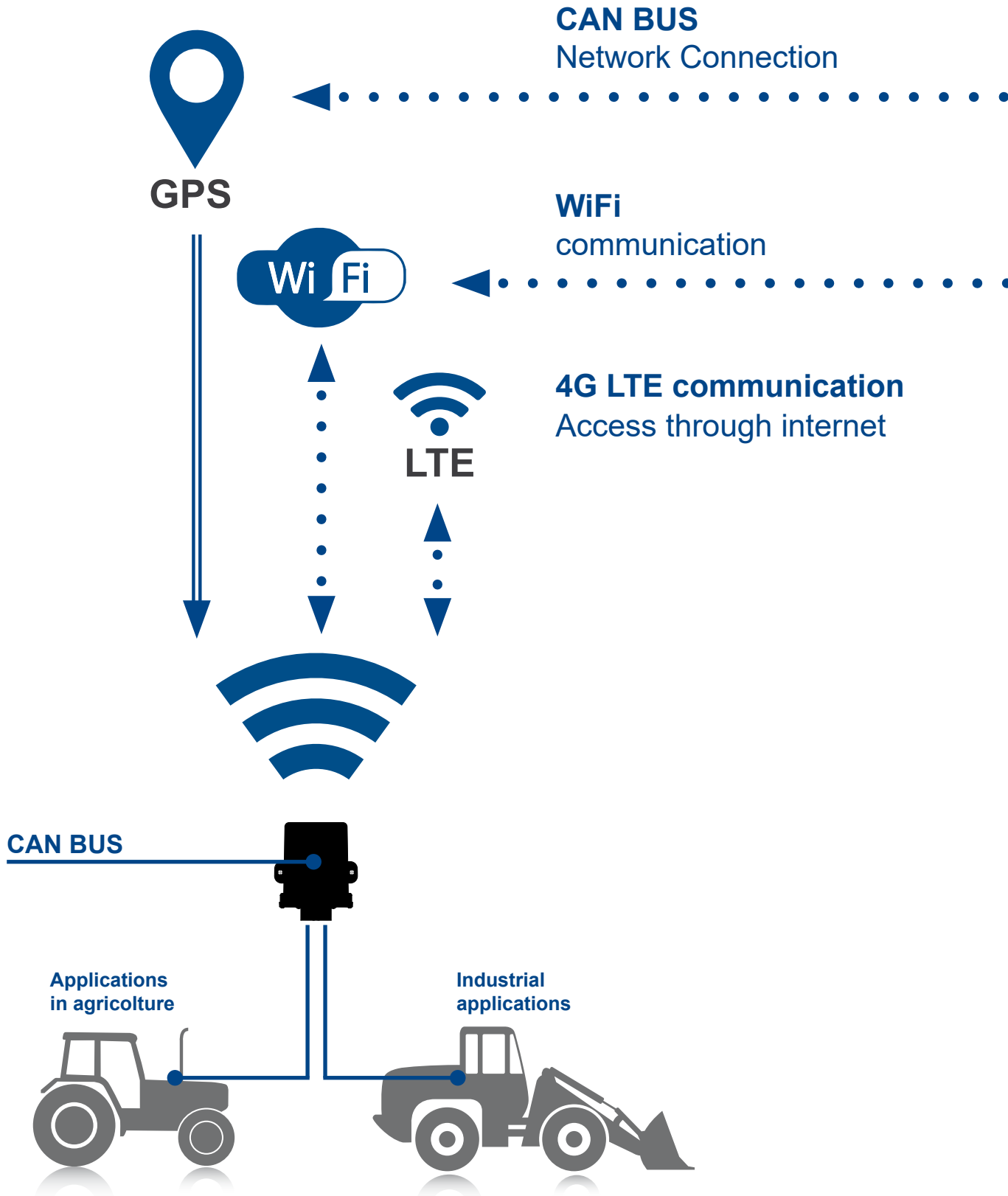
CANLive 3.0

CONNECTIVITY



“CANLive3.0”

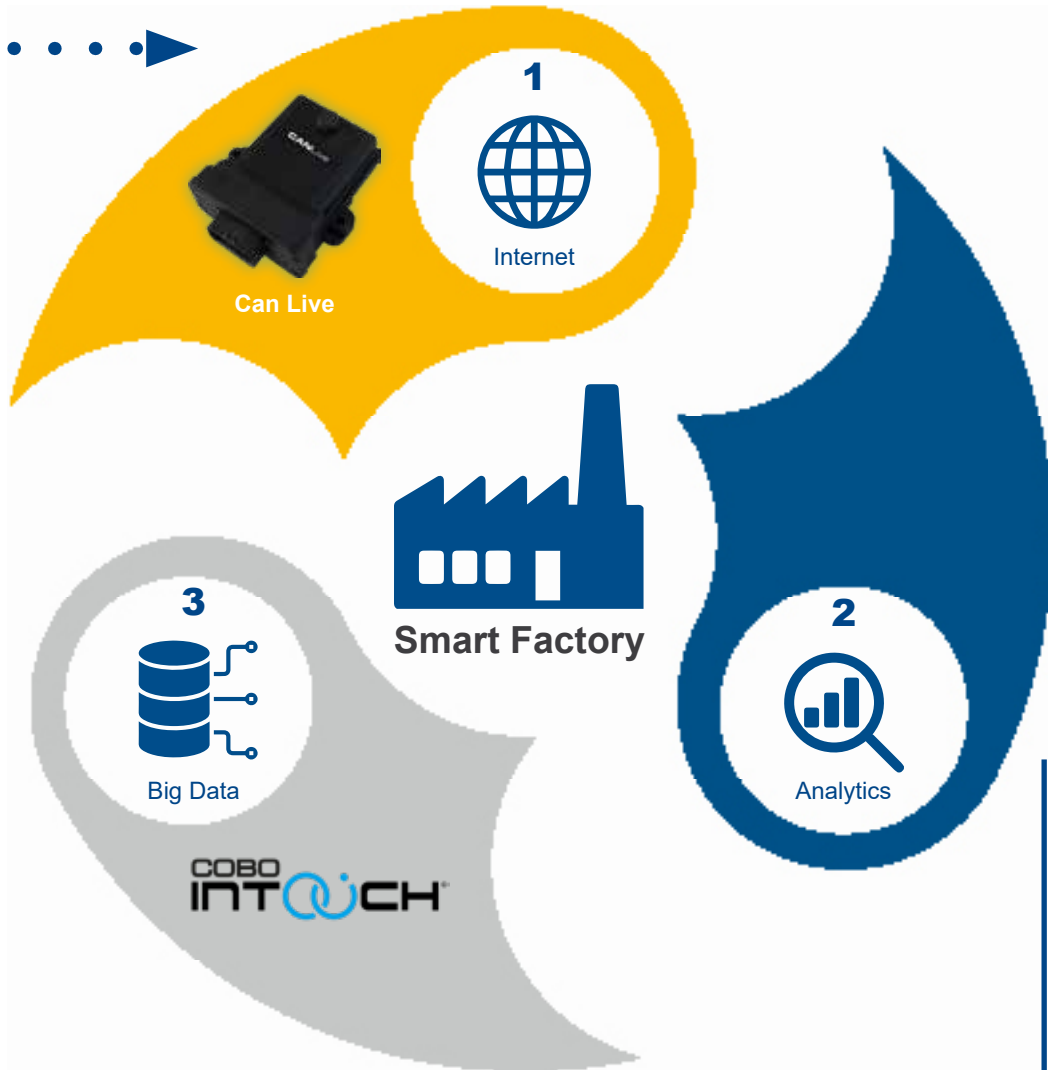
ESEMPIO DI APPLICAZIONE
APPLICATION EXAMPLES





CONNETTIVITÀ CONNECTIVITY

Comunicazione dispositivi e raccolta dati
Device communication and data collection



ANALISI DEI DATI DATA ANALYTICS

Gestione dei dati e trasformazione in
informazioni a valore per il business

*Data management and transformation into
valuable information for the business*

DIGITALIZZAZIONE DIGITIZATION

Utilizzo dell'informazione per
aumentare i processi decisionali

*Use of information to increase
decision-making process*



“CANLive3.0”

DISPOSITIVO TELEMATICO CON INTERFACCIA CAN BUS,
CONNETTIVITÀ 4G LTE E LOCALIZZAZIONE GPS - GLONASS

TELEMATIC DEVICE WITH CAN BUS INTERFACE,
4G LTE CONNECTIVITY AND GEOLOCATION GPS - GLONASS

APPLICAZIONI

- Sistema di monitoraggio in tempo reale per macchine con reti CAN BUS
- Built-in “data logger” registrazione continua CAN BUS event IDs
- Parametri di monitoraggio programmabili su piattaforma CLOUD
- Sistema per modifica parametri macchina da remoto
- Stack completo J1939 protocollo multi-packet
- Certificato COBO di sicurezza SSL
- Protocolli supportati: Winloader, KWP2000 and Winloader TERA
- Possibilità di aggiornamento SW e FW da remoto per dispositivi COBO
- FOTA: Firmware Over the Air

APPLICATIONS

- Real time monitoring system for CAN BUS machines
- Built-in “data logger” recording CAN BUS event IDs
- Programmable monitoring parameters on CLOUD platform
- System for changing machine parameters remotely
- Full stack J1939 multi-packet protocol
- SSL security COBO certificate
- Upload supported protocols: Winloader, KWP2000 and Winloader TERA
- Possibility of remote SW and FW upgrade system for COBO device
- FOTA: Firmware Over the Air

P/N

1104408



2 MB Flash
256 + 4 KB RAM



2 CAN-bus 2.0B high speed,
ISO 11898-2 compliant
1 RS 232 Tx and RX line



LTE FDD Cat.1. 3GPP release
10 compliant DC-HSPA+ 42 Mbps
Built in UDP/TCP/FTP/SMTP stack



Clock / calendar with 240 x 8 bit
RAM with back-up battery

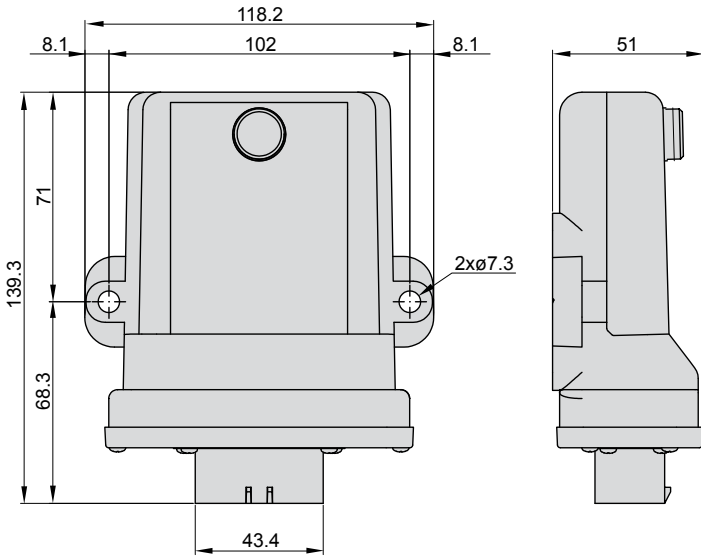


Simultaneous support of GPS, Glonass,
Beidou, Galileo, QZSS module with
embedded patch antenna, with 33 channels
(tracking) and 99 (acquisition channel)



CE FCC RED E-mark

Shock tests - Reference standard
EN 60068-2-27
Random vibration tests - Internal Reference
Climatic tests - Reference standard
EN 60068-2-1 and EN 60068-2-2
UKCA



Supply voltage	9 - 36 VDC direct from battery
Operating temperature	- 40°C + + 85°C
Sealing degree	IP67 minimum
Accelerometer	Internal accelerometer 3 axis
Frequency	180 Mhz
Data Flash	128 MB serial Flash
Microprocessor	ARM Cortex M4 core ARM® 32-bit Cortex®-M4
Connector	AMP 23 pin 776087-1
Housing	ABS enforced PA66
Wi-Fi	802.11b/g/n access point (AP) supporting up to four stations - IPv4 and IPv6 TCP/IP stack - Powerful Crypto Engine - TLS and SSL Connections - Wi-Fi Direct® client/group owner - WPA2 Personal and Enterprise Security

MODELLI DISPONIBILI
MODELS AVAILABLE

Modello Model	Modem	WiFi	Data memory
CANLive 4G	LTE FDD Cat.1	No	128MB
CANLive 4G Wi-Fi	LTE FDD Cat.1	Yes	128MB

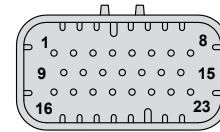
INTERCAMBIABILE CON I SEGUENTI MODELLI
INTERCHANGEABLE WITH FOLLOWING MODELS

Modello / Model	P/N
CANLive 1.0	1086916
CANLive 2.0	1088575

MANUALE TECNICO D'INSTALLAZIONE
INSTALLATION USER MANUAL



FRONT VIEW
NUMBER PIN POSITION



Pin	Funzioni Functions	Descrizioni Descriptions
1	+VB 30	Logic power supply (+12V / + 24V)
2	-VB 31	Logic ground
3	Key +15	Key input
4	RS232_TX	Line RS-232_TX
5	RS232_RX	Line RS-232_RX
6	CAN 0 - L	CAN Line interface 1 (low)
7	CAN 0 - H	CAN Line interface 1 (high)
8	CFG1	Configuration pin 1
9	CAN 1 - L	CAN Line interface 2 (low)
10	CAN 1 - H	CAN Line interface 2 (high)
11	CFG2	Configuration pin 2
12	N.C.	N.C.
13	GND	Ground signal
14	INP 1	Analog Input 0 - 5V / 0 - 30V or digital input
15	INP 2	Analog Input 0 - 5V / 0 - 30V or digital input
16	INP 3	Analog Input 0 - 5V / 0 - 20mA or digital input
17	INP 4	Analog Input 0 - 5V / 0 - 20mA or digital input
18	INP 5	Input rpm and digital
19	INP 6	Input rpm and digital
20	Output 1	On/Off high side. 2A max
21	Output 2	On/Off high side. 2A max
22	Output 3	On/Off low side. 1A max
23	Output 4	On/Off low side. 1A max

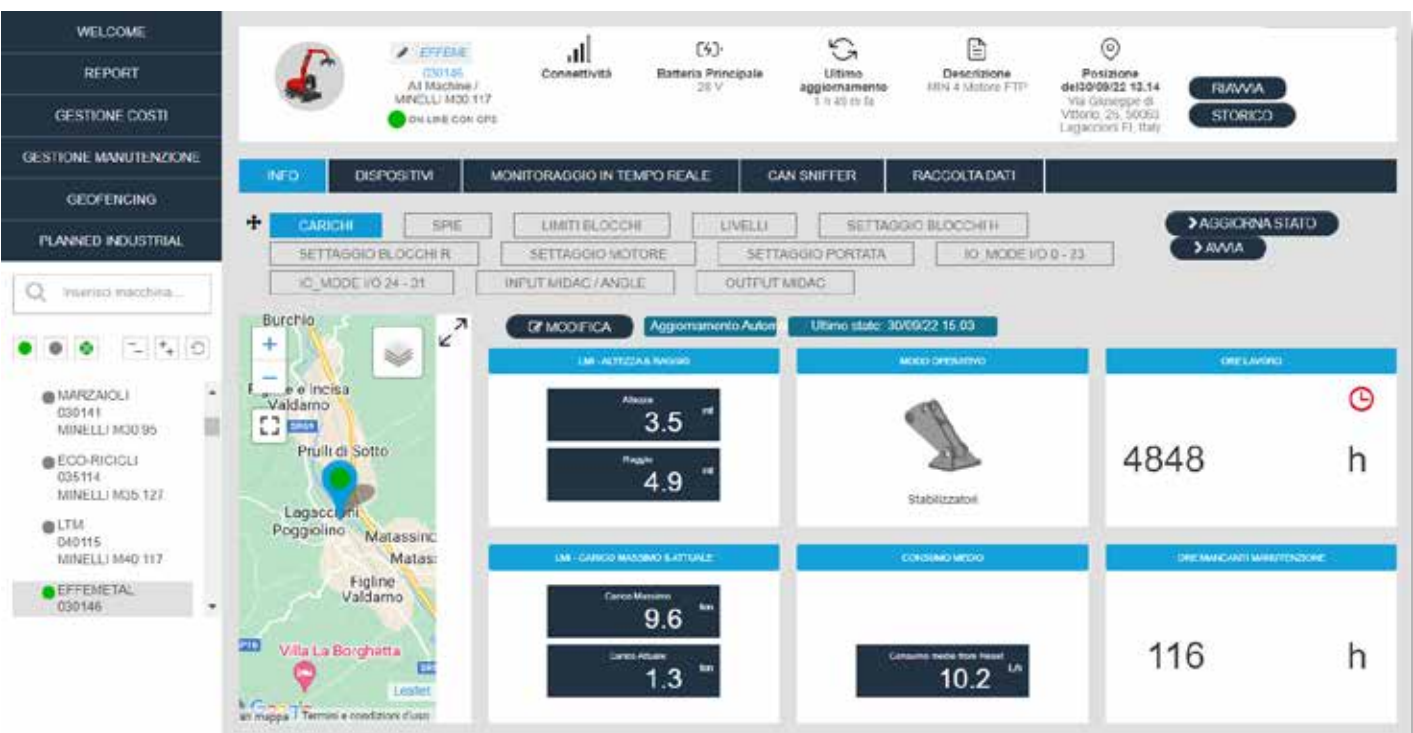
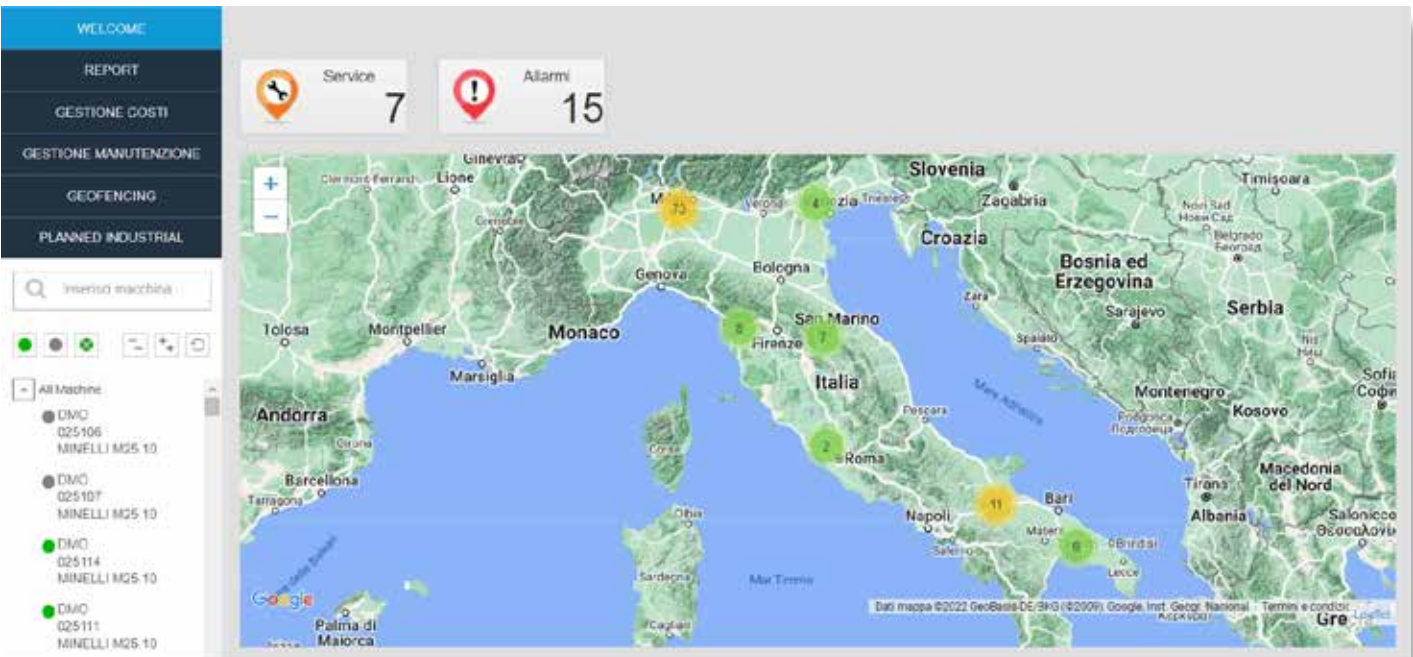
COBO INTOUCH®

DATA PLATFORM



Layout accattivante e facile da usare (personalizzabile)
 Design flessibile per PC, smartphone e tablet (responsive)
 Compatibile con sistema operativo Microsoft Windows, iOS e Android
 Piattaforma multilingua, Portale web personalizzabile con colori e loghi
 Autenticazione utente sicura (HTTPS) e SSL

Attractive and user friendly layout (customizable)
 Flexible design for PC, smartphone and tablet (responsive)
 Compatible with Microsoft Windows, iOS and Android operating system
 Multilanguage platform
 Web portal customizable with colours and logos
 Secure User authentication (HTTPS) and SSL



COBO INT@UCH®

INTELLIGENCE ANALYSIS



- COBO è in grado di offrire un sistema su misura e intuitivo, affidabile e flessibile
- Consente di ridurre i costi ed aumentare la sicurezza sul lavoro
- Monitoraggio continuo e gestione delle funzioni da remoto
- *COBO is able to offer an intuitive, reliable and flexible Tailor Made system*
- *It allows to reduce costs and increase safety at work*
- *Continuous monitoring and management of functions remotely*



- Raccolta e gestione dei dati statistici e di efficienza
- Assistenza tecnica immediata in caso di imprevisti
- Manutenzioni predittive e preventive
- *Collection and management of statistical and efficiency data*
- *Immediate technical assistance in case of unexpected events*
- *Predictive and preventive maintenance*



- Invia elenco di attività in remoto per la pianificazione delle attività
- Un avanzato sistema di localizzazione GPS per la gestione dei flussi operativi
- Soccorso e monitoraggio immediati in caso di incidenti
- *Send task list remotely for task scheduling*
- *An advanced GPS tracking system for fleet management*
- *Immediate rescue and monitoring in case of accidents*



C.O.B.O. SpA
Via Tito Speri, 10
25024 Leno (Brescia) ITALY
Phone +39 030 90451
Fax +39 030 9045330

GERMANY



COBO DEUTSCHLAND GmbH
Zum Schürmannsgraben, 12E
D-47441 - Moers
Germany
Phone: +49 (0) 2841 88238 0
Fax: +49 (0) 2841 88238 23
E-mail: info@cobogroup.net
Web Site: www.cobo-deutschland.com

FRANCE



COBO FRANCE Sarl
Allée de l'Europe, 2 - Zone Coriolis
71210 - Ecuisses
France
Phone: +33 (0) 3 857 30560
Fax: +33 (0) 3 857 85606
E-mail: info@cobogroup.net
Web Site: www.cobofrance.com

NORTH AMERICA



COBO USA Ltd
West Division Street, 304
52655 - West Burlington
Iowa - Usa
Phone: +1 319 754 5585
Fax: +1 319 754 8724
E-mail: info@cobogroup.net
Web Site: www.cobointernational.com

LATIN AMERICA



COBO COMPONENTES AGR. E IND. Ltda
Rua Dona Francisca, 8300 - Bloco 2-M
89219-600 Zona Industrial - Joinville
Santa Catarina - Brasil
Phone: +55 47 3305 0095
E-mail: info@cobogroup.net
Web Site: www.cobogroup.net

OCEANIA



COBO OCEANIA Ltd
Maiella Street, 4/12
4207 Stapylton - Brisbane
Queensland - Australia
Phone: +61 (0) 7 3807 4866
Fax: +61 (0) 7 3807 6780
E-mail: info@cobogroup.net
Web Site: www.cobo.com.au

SOUTH-EAST ASIA



COBO ASIA Ltd
Wai Yip Street, 133
11/F, 12/F and Roof Floor - Kwun Tong
Hong Kong
Phone: +852 3511 6708 (6709)
E-mail: info@cobogroup.net
Web Site: www.cobogroup.net

CHINA



COBO GUANGZHOU Ltd
101/102 Building 7, Shi Dai Fang Zhou
30 Hua Zhou Road, Haizhu District
510220 - Guangzhou
People's Republic of China
Phone: +86 20 8922 5611
Fax: +86 20 8922 5635
E-mail: info@cobogroup.net
Web Site: www.cobogroup.net

INDIA



COBO INDIA Branch Office
Mathura Road, 13/6 - 4th floor, 403
121003 NH-2 - Faridabad
Haryana - India
Phone: +91 129 4871206
Email: info@cobogroup.net
Web Site: www.cobogroup.net



info@cobogroup.net | www.cobogroup.net

Le informazioni contenute nella presente informativa hanno scopo puramente indicativo.
L'Azienda si riserva senza preavviso il diritto di apportare qualsiasi modifica tecnica del prodotto.
The information published in this catalogue is purely indicative. The Company reserves the right to introduce all technological changes of the present product at any time and without prior notice.