



# KEYLESS SYSTEM

COMFORTABLE, SECURE, INTEGRATED,  
CUSTOMIZABLES, CONNECTED



# KEYLESS SYSTEM

**COBO Keyless System** is an electronic device who improves recognition of a user of the machine, simply approaching the machine or touching the door handle and pressing the start button.  
Could be integrated into COBO complete system solution with benefits of: security against thefts, safety avoiding misuse, user comfort setup.



Automatically identify the user in order to increase efficiency



Increase security from theft for the vehicle



Reinforces the integrated COBO Ecosystem solution



Connected with Smartphone and bluetooth COBO solution



Via CAN and VT3 with our systems such as SKC, Seats, Armrest and Intouch

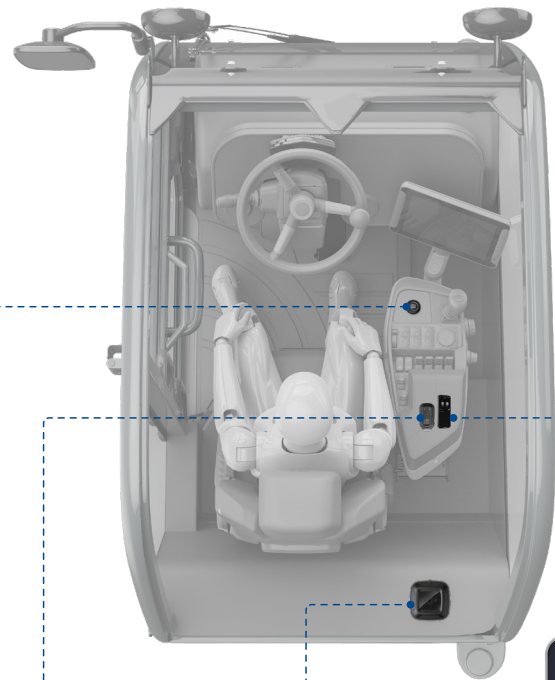


Description	P/N
Keyless system Business	1108003
Keyless system Comfort	1109190



**SMART IGNITION CONTROL**

*recognition*



**INTELLIGENT KEYFOB**  
Low consumption



**RANGE EXTENDER**  
Active antenna

COBO APP



**SMARTPHONE SDK "Key assistant"**



**PASSIVE KEY DUPLICATOR**  
Small and portable

## NFC+BLE

Passive Entry and Passive start (PEPS)

Proximity battery-less operation

Robust/comfortable design

Replaceable battery

Redundant Start/Stop Button

Logos and Buttons customizable

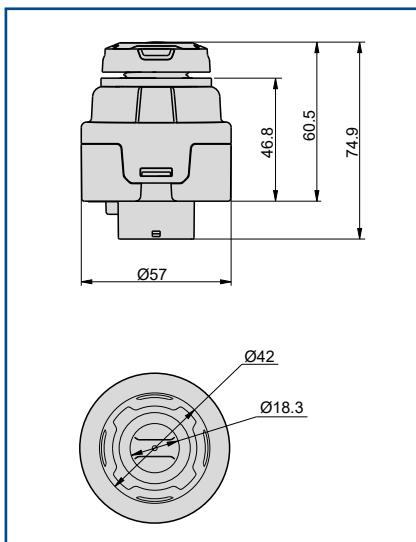
Smartphone as a key ( «Key Assistant» )

Mature technology with expected support in mid-long terms

## ECU KEYLESS TECHNICAL DATA

Microprocessor	Arm 32-bit Cortex-M33
Space available for the VT3 Software	192kB
Power supply voltage range	+6..+32VDC
Total power output current max	1A on each DOH pin - 4A on the total of the 4 DOH pins
Digital high side outputs	Configurable as analogue/digital inputs 0V..32V
Digital / Analogue inputs	0V..32V
CAN-BUS line	2.0B high speed, (11 or bit identifier), ISO 11898-2 compliant
Bluetooth	5.2
NFC	NFC-V, 13.56MHz, ISO15693 compliant
Clamping system	Plastic nut, M25
Panel sealing system	Gasket
Operating temperature	-40°C..+80°C, compliant to ISO IEC60068
Storage temperature	-40°C..+85°C, compliant to ISO IEC60068
ECU Keyless protection grade	IP66, IP67, compliant to IEC 60529
Protection grade expected with proper installation	IP66, compliant to IEC 60529
Weight	97g
Max number of associable keys	n.16
Max number of associable antennas	n.4
Start / Stop button	Backlight button, configurable color via software
Digital / Analogue inputs	Configurable as wake up sources
Case material	PA6 30%GF, POM, ABS
Sealing material	EPDM

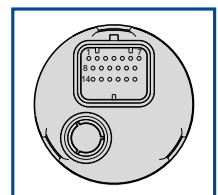
## DIMENSIONS



## CONNECTOR

26-PIN Superseal Connector  
(5-6447223-0)

Integrated directly into the plastic case



PIN	NAME	DESCRIPTION	TYPE
1	VBAT	Positive power supply	A
2	GND	Negative power supply	B
3	IN0	Digital/analogue input 0	F
4	DOH0	High side digital output configurable as Input/Output 0	C
5	IN1	Digital/analogue input 1	F
6	DOH1	High side digital output configurable as Input/Output 1	C
7	IN2	Digital/analogue input 2	F
8	DOH2	High side digital output configurable as Input/Output 2	C
9	CANH	CAN Bus High	E
10	DOH3	High side digital output configurable as Input/Output 3	C
11	CANL	CAN Bus Low	E
12	BUTTON 0	Button output 0	D
13	BUTTON 1	Button output 1	D



**C.O.B.O. SpA**  
Via Tito Speri, 10  
25024 Leno (Brescia) ITALY  
Phone +39 030 90451

#### GERMANY



**COBO DEUTSCHLAND GmbH**  
Zum Schürmannsgraben, 12E  
D-47441 - Moers  
Germany  
Phone: +49 (0) 2841 88238 0  
Fax: +49 (0) 2841 88238 23  
E-mail: [info@cobogroup.net](mailto:info@cobogroup.net)  
Web Site: [www.cobo-deutschland.com](http://www.cobo-deutschland.com)

#### FRANCE



**COBO FRANCE Sarl**  
Allée de l'Europe, 2 - Zone Coriolis  
71210 - Ecuisses  
France  
Phone: +33 (0) 3 857 30560  
Fax: +33 (0) 3 857 85606  
E-mail: [info@cobogroup.net](mailto:info@cobogroup.net)  
Web Site: [www.cobofrance.com](http://www.cobofrance.com)

#### NORTH AMERICA



**COBO USA Ltd**  
West Division Street, 304  
52655 - West Burlington  
Iowa - Usa  
Phone: +1 319 754 5585  
Fax: +1 319 754 8724  
E-mail: [info@cobogroup.net](mailto:info@cobogroup.net)  
Web Site: [www.cobointernational.com](http://www.cobointernational.com)

#### LATIN AMERICA



**COBO COMPONENTES AGR. E IND. Ltda**  
Rua Dona Francisca, 8300 - Bloco 2-M  
89219-600 Zona Industrial - Joinville  
Santa Catarina - Brasil  
Phone: +55 47 3305 0095  
E-mail: [info@cobogroup.net](mailto:info@cobogroup.net)  
Web Site: [www.cobogroup.net](http://www.cobogroup.net)

#### OCEANIA



**COBO OCEANIA Ltd**  
Maiella Street, 4/12  
4207 Stapylton - Brisbane  
Queensland - Australia  
Phone: +61 (0) 7 3807 4866  
Fax: +61 (0) 7 3807 6780  
E-mail: [info@cobogroup.net](mailto:info@cobogroup.net)  
Web Site: [www.cobo.com.au](http://www.cobo.com.au)

#### SOUTH-EAST ASIA



**COBO ASIA Ltd**  
Wai Yip Street, 133  
11/F, 12/F and Roof Floor - Kwun Tong  
Hong Kong  
Phone: +852 3511 6708 (6709)  
E-mail: [info@cobogroup.net](mailto:info@cobogroup.net)  
Web Site: [www.cobogroup.net](http://www.cobogroup.net)

#### CHINA



**COBO GUANGZHOU Ltd**  
101/102 Building 7, Shi Dai Fang Zhou  
30 Hua Zhou Road, Haizhu District  
510220 - Guangzhou  
People's Republic of China  
Phone: +86 20 8922 5611  
Fax: +86 20 8922 5635  
E-mail: [info@cobogroup.net](mailto:info@cobogroup.net)  
Web Site: [www.cobogroup.net](http://www.cobogroup.net)

#### INDIA



**COBO INDIA Branch Office**  
Mathura Road, 13/6 - 4th floor, 403  
121003 NH-2 - Faridabad  
Haryana - India  
Phone: +91 129 4871206  
Email: [info@cobogroup.net](mailto:info@cobogroup.net)  
Web Site: [www.cobogroup.net](http://www.cobogroup.net)



[info@cobogroup.net](mailto:info@cobogroup.net) | [www.cobogroup.net](http://www.cobogroup.net)