



*RADAR LEVEL DETECTOR
BY SENSOR FUSION TECHNOLOGY*





RADAR LEVEL DETECTOR

PER LA SENSORIZZAZIONE DI SILOS, SERBATOI, CISTERNE
SILOS, TANKS AND CISTERNAS SURVEILLING



P/N

1100168



Radar wave



Measures distance,
temperature and
humidity



Targets solids,
granulars and
liquids

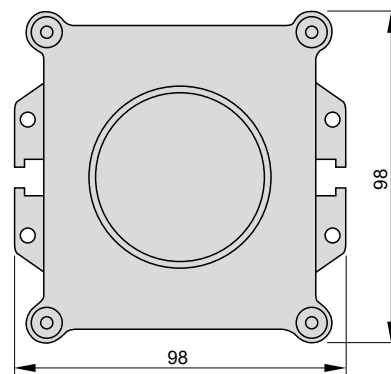
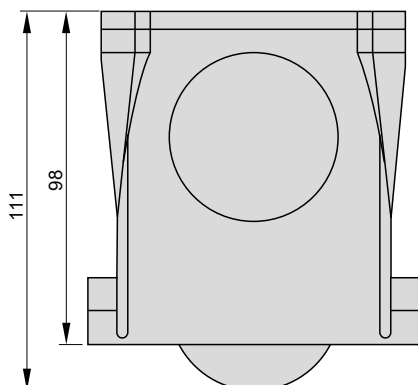


Industrial
application



CAN bus
communication

Operating Voltage	7 - 16VDC
Operating Temperature	- 40°C to + 80°C
Measuring System	Narrow Beam @ 60GHz
Accuracy	± 2mm, ± 0.5°C, ± 2% RH
IP ratings	IP66

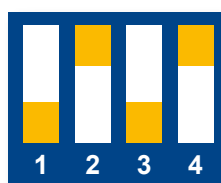


MULTI-SILOS INSTALLATION

COLLEGAMENTI PER ALIMENTAZIONI E RETE CAN
IN FASE DI INSTALLAZIONE



POWER AND DATA WIRED CONNECTION TAKE PLACE
DURING THE SYSTEM INSTALLATION



ID SILOS

Configurazione ed
identificazione di ciascun
silos in fase di installazione

Configuration and
identification of each silos
during installation

CONNECTIVITY

Con architettura del tipo raccogli e trasmetti dati "ONE FOR ALL"
*The system gather the data from the various sensors and send them out
 in one shot only*

ARCHITECTURE

SENSORS + CAN LIVE + LOCAL DISPLAY

SENSORS



Possibile gestire sistema fino a 16 silos

Up to 16 silos can be managed by a single system



LOCAL DISPLAY

I dati raccolti via CANbus, sono elaborati e visualizzati localmente da display a colori da 4" o in alternativa 7"

Sensors data are digitally transmitted to the system 4" display and are available for real time visualization. A 7" display option is available as well



3G CONNECTIVITY

I dati di tutti i silos vengono trasmessi da un singolo device (CAN-LIVE)

COBO CAN-LIVE device connect the local network to the cloud

PORTAL

**COBO
INTOUCH**



Visualizzazione e storizzazione dei dati su COBO INTOUCH

Data are securely stored on COBO INTOUCH portal and can be accessed at any time

COBO INTOUCH AGRI APP

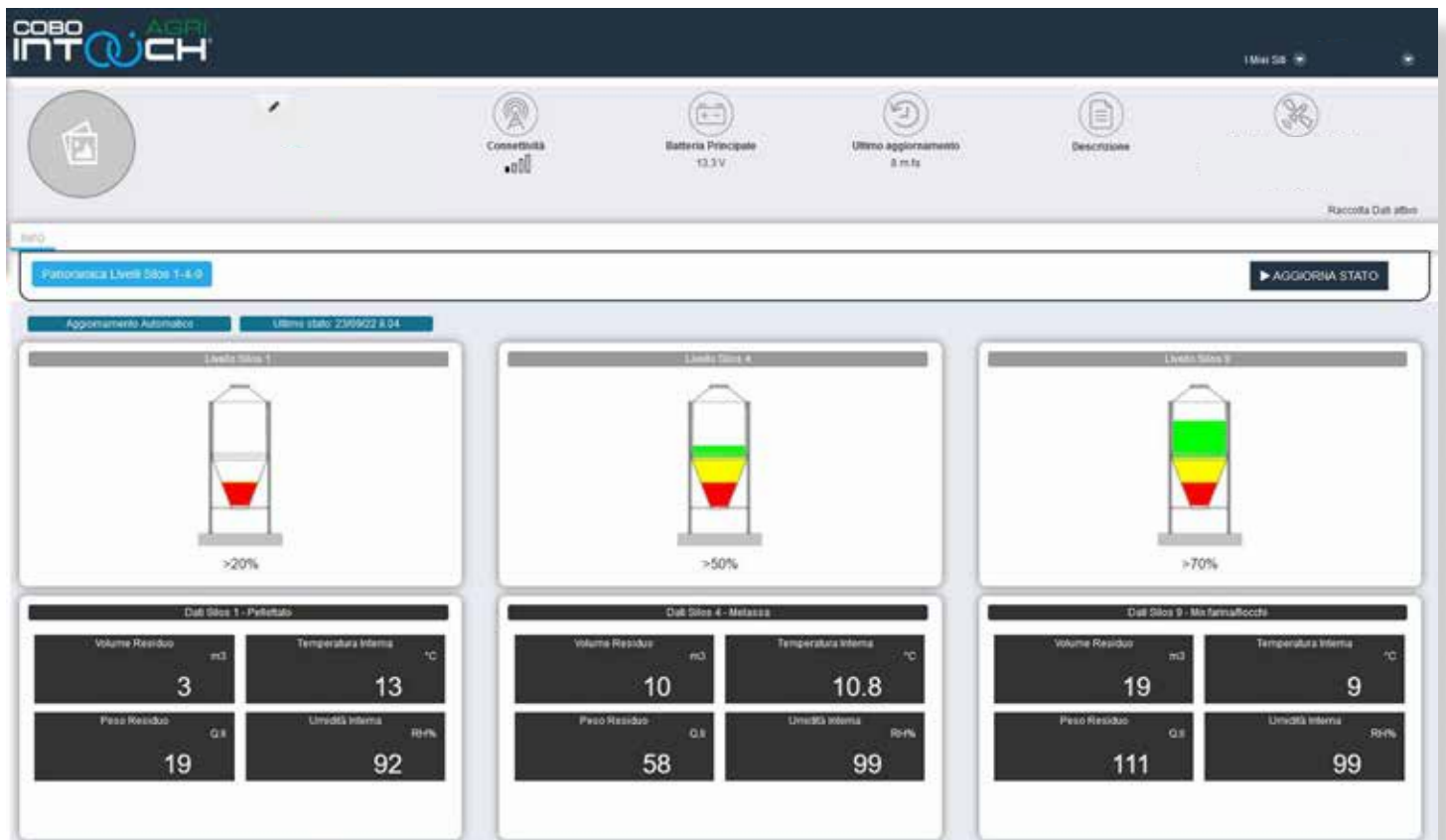


RADAR LEVEL DETECTOR

PER LA SENSORIZZAZIONE DI SILOS, SERBATOI, CISTERNE
 SILOS, TANKS AND CISTERNS SURVEILLING

Oltre al controllo dei livelli per segnalare in automatico e coordinare la logistica svuota/riempi, vengono forniti per ogni silos dati di temperatura ed umidità interni al fine di monitorare anche condizioni di conservazione.

COBO Level Detector Radar offer more information about what's inside the silo. On top of the level value, useful to monitor the empty/load cycle, the internal temperature and humidity values are also provided. Keep an eye on the storage conditions of your crop!

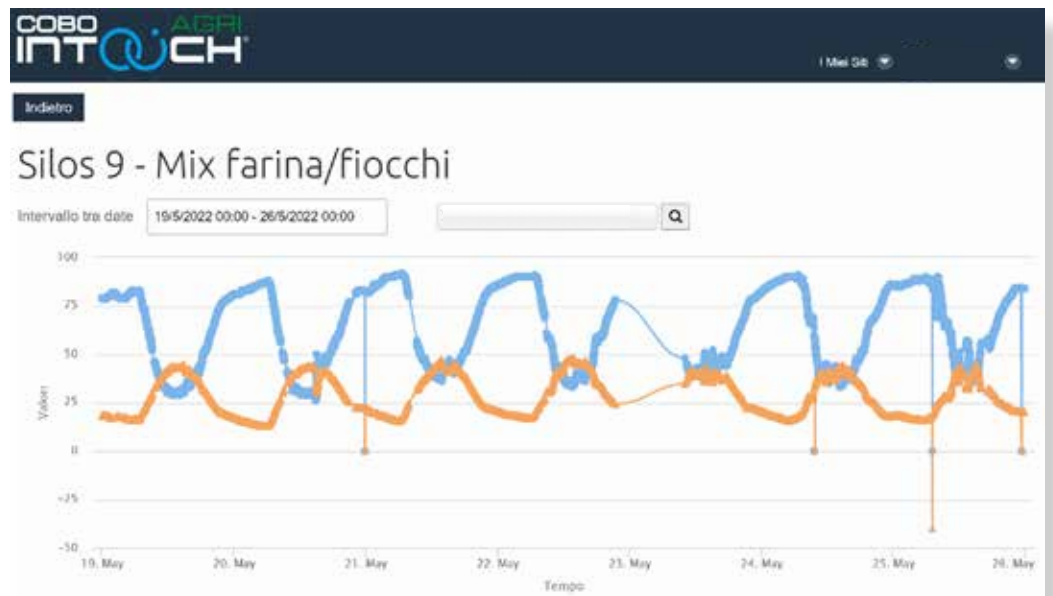
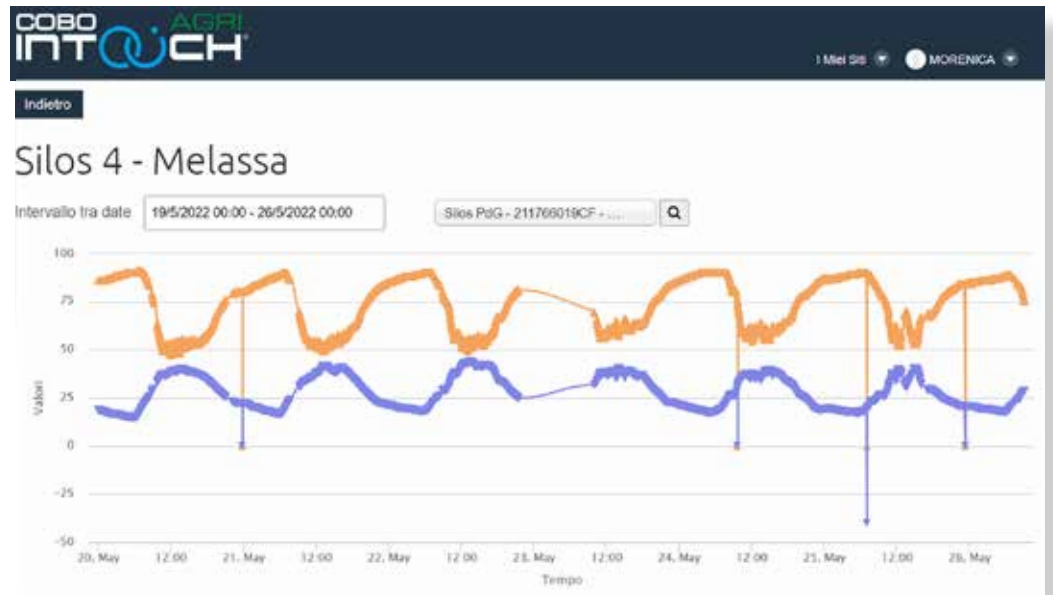


**OPERATING
CONDITIONS**

Temperatura / Temperature (°C)
 Umidità / Humidity (RH%)

(*) **SAFETY ALERT**
 automatico via e-mail per
 avvisare raggiunti massimi
 valori di soglia consentiti

(*) **SAFETY ALERTS**
 Automatic e-mail delivery
 if the actual values exceeds
 the defined range





HEADQUARTERS

C.O.B.O. SpA

Via Tito Speri, 10

25024 Leno (Brescia) ITALY

Phone +39 030 90451

Fax +39 030 9045330

GERMANY



COBO DEUTSCHLAND GmbH
Zum Schürmannsgraben, 12E
D-47441 - Moers
Germany
Phone: +49 (0) 2841 88238 0
Fax: +49 (0) 2841 88238 23
E-mail: info@cobogroup.net
Web Site: www.cobo-deutschland.com

FRANCE



COBO FRANCE Sarl
Allée de l'Europe, 2 - Zone Coriolis
71210 - Ecuisses
France
Phone: +33 (0) 3 857 30560
Fax: +33 (0) 3 857 85606
E-mail: info@cobogroup.net
Web Site: www.cobofrance.com

NORTH AMERICA



COBO USA Ltd
West Division Street, 304
52655 - West Burlington
Iowa - Usa
Phone: +1 319 754 5585
Fax: +1 319 754 8724
E-mail: info@cobogroup.net
Web Site: www.cobointernational.com

LATIN AMERICA



COBO COMPONENTES AGR. E IND. Ltda
Rua Dona Francisca, 8300 - Bloco 2-M
89219-600 Zona Industrial - Joinville
Santa Catarina - Brasil
Phone: +55 47 3305 0095
E-mail: info@cobogroup.net
Web Site: www.cobogroup.net

OCEANIA



COBO OCEANIA Ltd
Maiella Street, 4/12
4207 Stapylton - Brisbane
Queensland - Australia
Phone: +61 (0) 7 3807 4866
Fax: +61 (0) 7 3807 6780
E-mail: info@cobogroup.net
Web Site: www.cobo.com.au

SOUTH-EAST ASIA



COBO ASIA Ltd
Wai Yip Street, 133
11/F, 12/F and Roof Floor - Kwun Tong
Hong Kong
Phone: +852 3511 6708 (6709)
E-mail: info@cobogroup.net
Web Site: www.cobogroup.net

CHINA



COBO GUANGZHOU Ltd
101/102 Building 7, Shi Dai Fang Zhou
30 Hua Zhou Road, Haizhu District
510220 - Guangzhou
People's Republic of China
Phone: +86 20 8922 5611
Fax: +86 20 8922 5635
E-mail: info@cobogroup.net
Web Site: www.cobogroup.net

INDIA



COBO INDIA Branch Office
Mathura Road, 13/6 - 4th floor, 403
121003 NH-2 - Faridabad
Haryana - India
Phone: +91 129 4871206
Email: info@cobogroup.net
Web Site: www.cobogroup.net



info@cobogroup.net | www.cobogroup.net

Le informazioni contenute nella presente informativa hanno scopo puramente indicativo.
L'Azienda si riserva senza preavviso il diritto di apportare qualsiasi modifica tecnica del prodotto.
The information published in this catalogue is purely indicative. The Company reserves the right to introduce all technological changes of the present product at any time and without prior notice.